



CLEARING THE WAY



LOW PROFILE MOUNT PREEMPTION EMITTER

WWW.TOMAR.COM

[f](#) [in](#) [@](#) [tomarUSA](#)



LOW PROFILE MOUNT PREEMPTION EMITTER

Responding to emergencies is extremely dangerous. Your response time should not be hindered by traffic. The TOMAR Low Profile Mount Preemption Emitter increases safety for first responders and motorists alike, plus reduces response times to assist in saving lives and/or property.

The TOMAR LOPRO low-profile emitters were designed to fit anywhere on your vehicle to make your expedited response safer, whether a new vehicle build or adding to an existing system (pictured on reverse). Available in self-contained units or with a remote power supply, the emitter generates an infrared optical signal that is detected by both TOMAR and *GTT OPTICOM compatible systems. This signal begins the quick process of providing traffic signal priority so that emergency personnel can quickly & safely navigate through cleared intersections.

IR Strobe vs IR LED?

Conservatively, a TOMAR strobe emitter puts out over 100 times more peak Infrared power in its flash than a LED emitter does. The TOMAR strobe uses some of this peak power advantage to project a substantially wider beam, making it easier for an intersection or Strobesswitch gate access-point to detect an approaching emergency vehicle at higher off-axis angles. This also allows for TOMAR emitters to have a standard performance rating of 2,500+/- feet. All of this equates to preemption taking place sooner, which reduces risk, increases safety and lowers stress.

T792HL-LOPRO Models

Emit any of 10,000 *GTT OPTICOM vehicle ID's in 10 classes of either command (high) or advantage (low) priorities.

3065-LOPRO Models

Emit any of 65,000 vehicle ID's of either Emergency Band (high) or Transit Band (low) priorities.

Both T792HL and 3065 models are equipped with continuous self-diagnostics with visual feedback. A standard park-kill feature automatically disables the emitter system to prevent intersection lock up while allowing the warning lights to remain active.

Part Numbers:

T792HL-LOPRO: Self-Contained Emitter & Power Supply

T792HL-LOPRO-R: Emitter with Remote Power Supply

3065-LOPRO: Self-Contained Emitter & Power Supply

3065-LOPRO-R: Emitter with Remote Power Supply

401-LOPRO: Self-Contained Emitter & Power Supply

401-LOPRO-R: Emitter with Remote Power Supply

MOTO-VLF: Optional Visible Light Filter

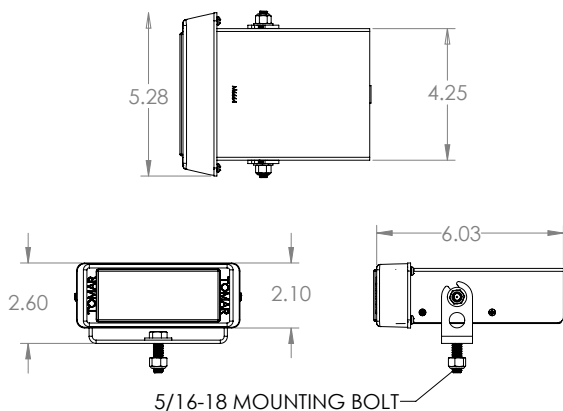
Dimensions:

Self-Contained emitters: 5.28"W x 2.1"H x 6.03"D

Emitters with remote power supply (-R): 5.28"W x 2.1"H x 4.15"D



- 2,500 +/- Feet of detection range
- Power cable, control cable, and 2 position on/off switch (on 3065 & T792HL units only)
- 12 to 24 VDC
- Hermetically-sealed IP69K waterproof lamp
- Potted IP69K waterproof control module
- Pure gold vacuum-metallized reflector for optimal infrared reflection
- Waterproof connectors
- Disable/park-kill feature can be latching/non-latching, GND or +BAT polarity
- An optional visible light filter (VLF) can be added to make emitter operation invisible (sold separately)
- 10 Year Warranty on 3065-LOPRO & T792-LOPRO emitter power supplies
- 2 Year Warranty on the 401-LOPRO emitter power supply
- 2 Year Warranty on emitter strobe lamps



Visible Light Filter (VLF) Installed

*OPTICOM and GTT are trademarks of Global Traffic Technologies, LLC and are not affiliated with Tomar Electronics, Inc. or its products.