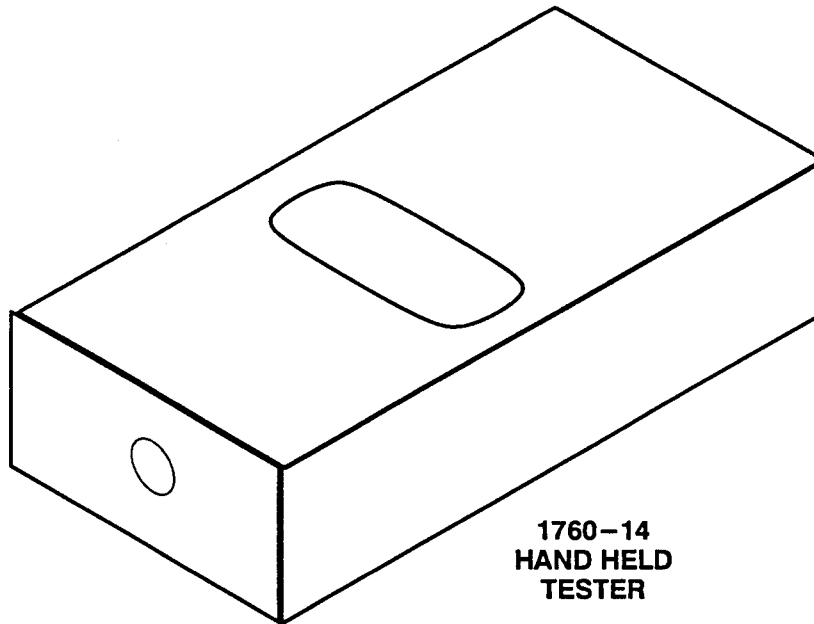


STROBECOM I™ Traffic Preemption System Specifications

(PATENT PENDING)



®

TOMAR Electronics Inc.

2100 W. Obispo
Gilbert, Arizona 85234 USA
800-338-3133

1760-14 Hand Held Tester Specifications

Size

Height 0.94" (23.9mm)
Length 4.81" (122.1mm)
Width 2.25" (57.2mm)
Weight (with battery) 0.24lbs (0.109Kg)

Battery 9V alkaline transistor type

Range 10 to 15 feet

Frequency Control Crystal controlled solid-state digital oscillator.

Output LED Invisible IR type narrow beam width

Use The 1760 Tester is used to test activate a STROBECOM I detector by aiming it directly into the sight tube of the detector and pressing the tester on button. It will activate a properly operating detector turning its confirmation LED on and preempting the traffic controller.