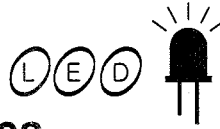


# MENICS

## TOWER LIGHT PRE series



### Installation Instructions

**Warning :** Risk of electrical shock, live voltage may be present. Review these instructions prior to performing any maintenance or assembly.

1. De-energize the Tower Light power source. Isolate the power source from the Tower Light assembly.
2. Do not operate this device at any voltage other than the voltage identified on the name plate.
3. Mounting to conduit should adhere to the National Electrical CODE(NEC) and any applicable local Standards.
4. For proper operation, wire as shown in wiring diagram.
5. Do not pull on wires.

### A. Assembly of TOWER LIGHT

Slide base cover down base unit and rotate until registration tab aligns with notch then rotate to secure. Follow the same procedure to secure lenses.

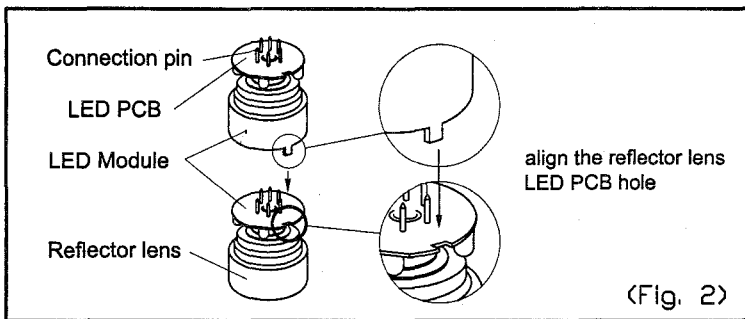
1. Rotate cap clockwise to complete assembly.
- \*. See fig 1

### B. Base mount assembly

1. Loosen screw on bottom of base unit Do not totally remove this screw.
2. Insert the mounting pole and tighten the screw at the bottom of base unit.
3. If you have a plastic base mount, insert it onto the bottom of pole and tighten the screw(s).

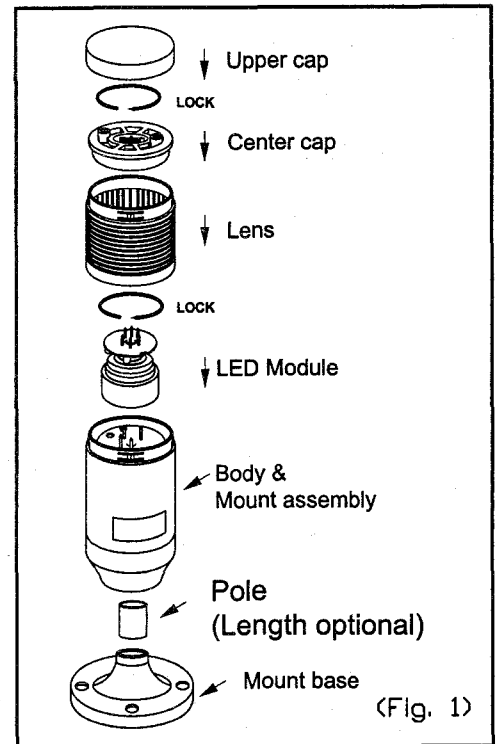
### C. LED Module assembly, \*. See fig 2

### D. Buzzer assembly, \*. See fig 3



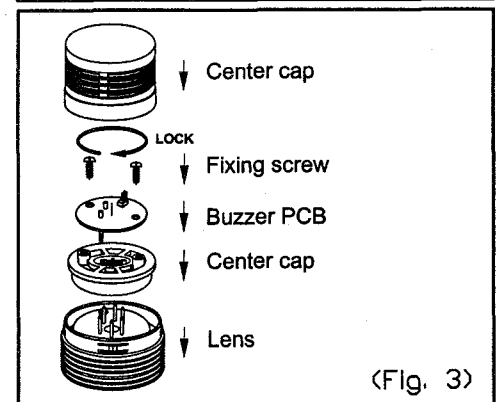
### F. Ordering information

PRE	F	3	02	RYG
①	②	③	④	⑤
①	PRE	ø56mm LED Tower Light		
②		Steady		
	F	Flash		
	B	Buzzer		
	Z	Buzzer + Flash		
③	1	1 Stack (Red)		
	2	2 Stack (R+Green)		
	3	3 Stack (R+Yellow+G)		
	4	4 Stack (R+Y+G+Blue)		
	5	5 Stack (R+Y+G+B+Clear)		
④	01	12V AC/DC		
	02	24V AC / DC		
	10	120V AC		
	20	240V AC		
⑤	R	Red lens		
	Y	Yellow lens		
	G	Green lens		
	B	Blue lens		
	C	Clear lens		

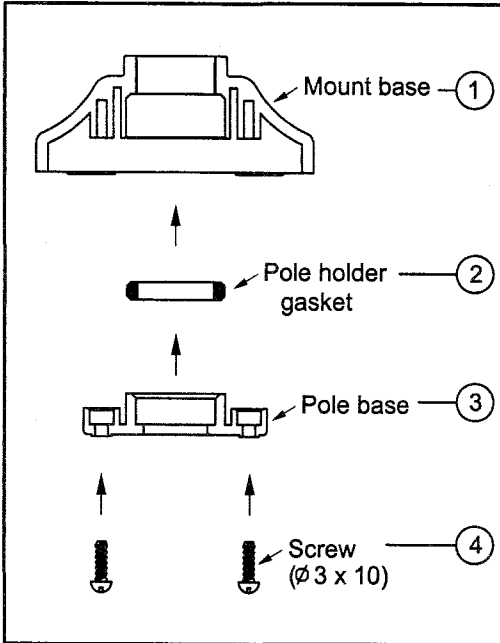


### E. Specification

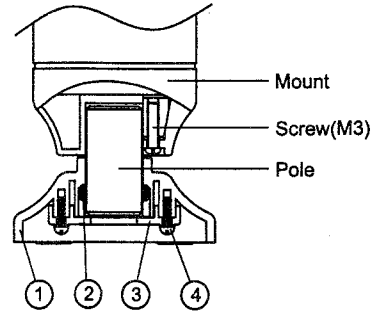
Power supply	12VAC/DC, 24VAC/DC, 110VAC, 220VAC		
IP level	IP 56		
Lens color	Red , Yellow, Green, Blue, Clear		
Flash rate	80 / min		
Current consumption	1 Stack	12V : 54mA, 24V : 28mA, 110V: 25mA, 220V : 25mA	
	2 Stack	12V : 109mA, 24V : 62mA, 110V: 57mA, 220V : 57mA	
	3 Stack	12V : 169mA, 24V : 102mA, 110V: 91mA, 220V : 91mA	
	4 Stack	12V : 223mA, 24V : 136mA, 110V: 124mA, 220V : 124mA	
	5 Stack	12V : 275mA, 24V : 169mA, 110V: 155mA, 220V : 155mA	
Termination	Wire leads		
Stack	1 Stack ~ 5 Stack		
Approvals	CE		



### G. Mount base assembly (MAM-B070)



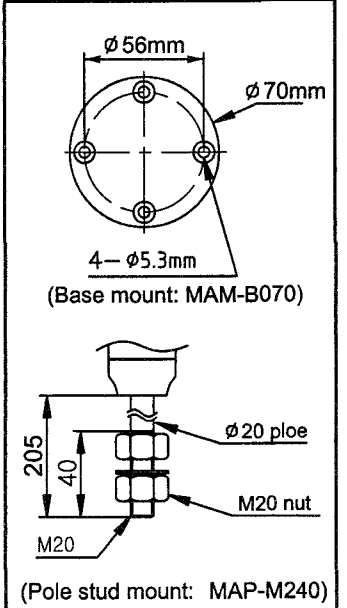
#### ■ Mounting assembly



#### ▶ Base mount assembly

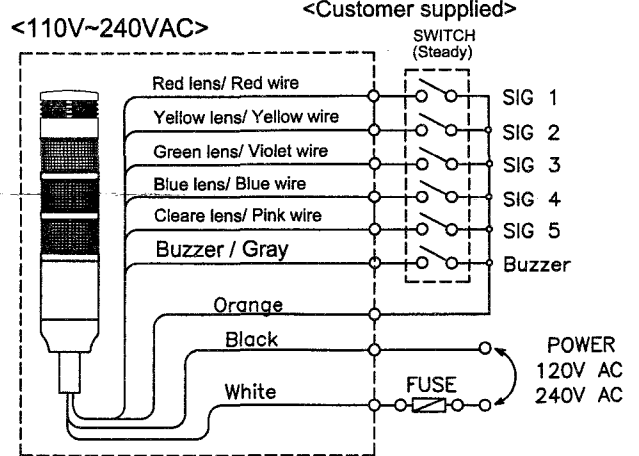
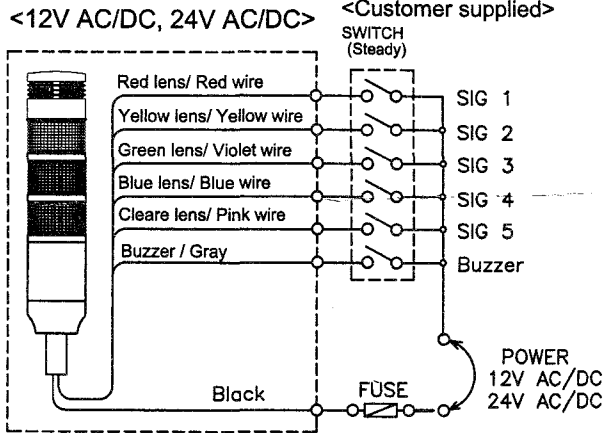
1. Loosen screw on bottom of base unit, Do not totally remove this screw.
2. Insert the mounting pole (type MAP-M200, MAP-0200, MAP-0038, MAP-N033) and tighten the screw at the bottom of base unit.

### H. Mounting dimensions

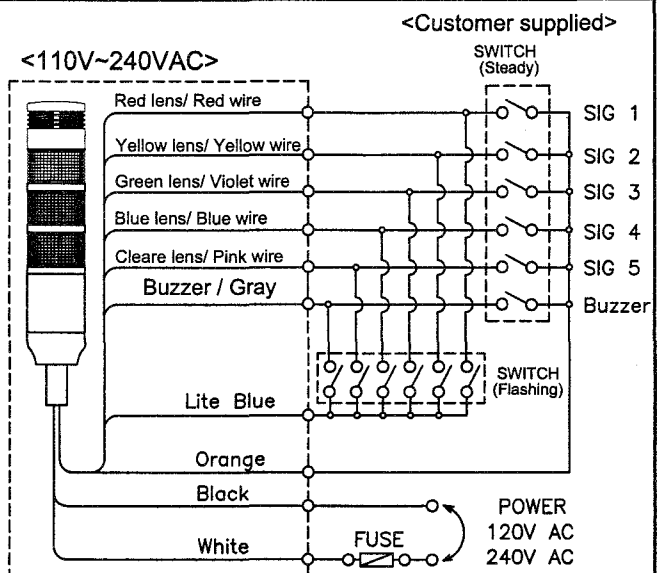
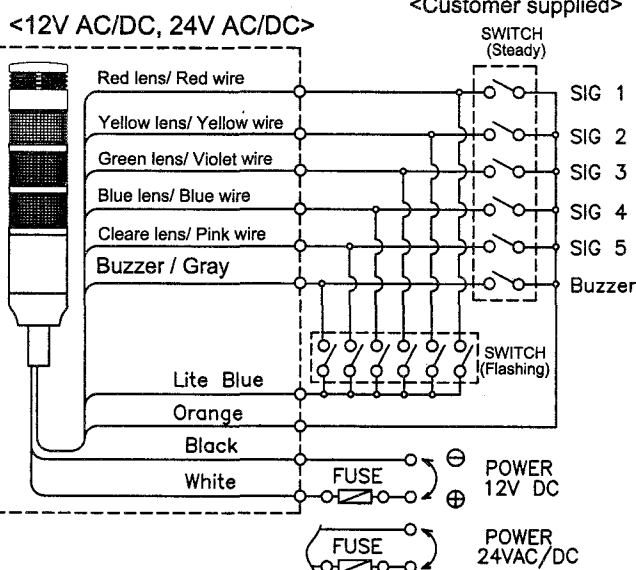


### I. Connections

#### ◆ Steady type



#### ◆ Steady & Flashing type



\*, On all LED tower lights, there can be no more than 5 position consisting of buzzer plus LED light.