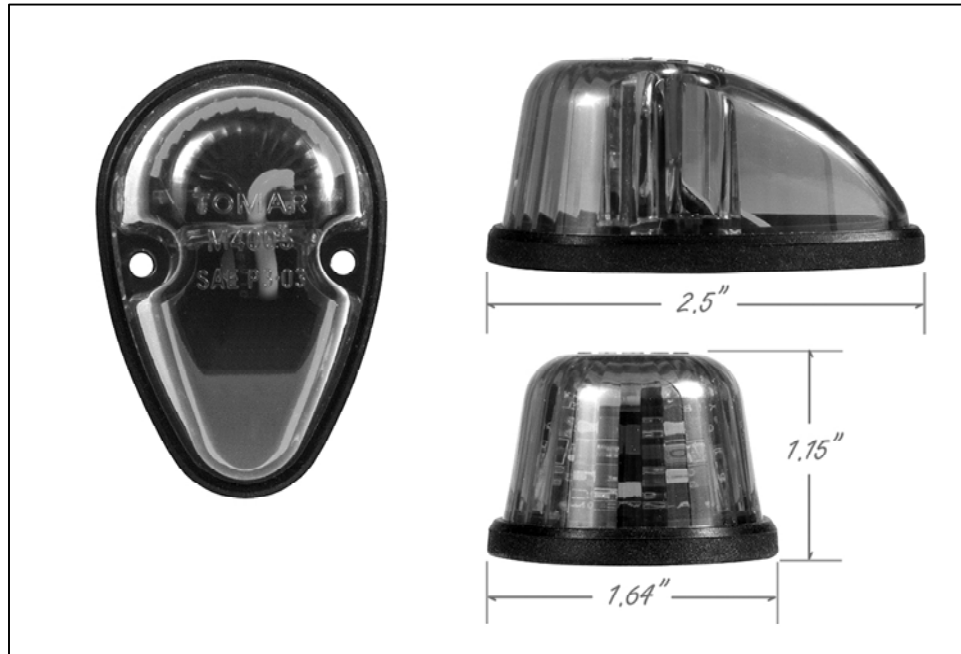


## MODEL ICCLED ICC CAB MARKER LIGHTS



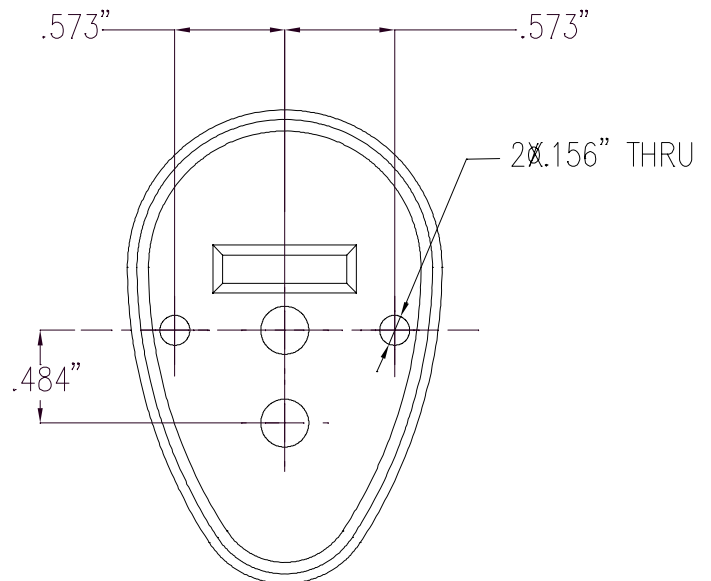
### SPECIFICATIONS

SIZE	1.64" wide x 2.5" long x 1.15" tall
INPUT VOLTAGE	12.8 VDC +/- 15%
AMPERAGE	40 mA
LED-LENS COLOR	Available in AMBER or RED

### INSTALLATION

+ VDC	YELLOW WIRE
GROUND	BLACK WIRE

Wires may be routed through the gasket via either of the two center holes provided. Orientate the larger round portion of the ICCLED lens facing the desired beam direction. Seat lens and gasket firmly on mounting surface and secure with #6 screws.



GASKET MOUNTING DIMENSIONS

**TOMAR** Electronics, Inc.

2100 West Obispo  
Gilbert, Arizona 85233  
(480) 497-4400 (800) 338-3133  
FAX (480) 497-4416 (800) 688-6627  
E-mail: sales@tomar.com www.tomar.com